

**Pressure gauge
Push button cock
Pressure gauge shutoff
valve**

12.05



Technical Description

Pressure measuring instruments with capsule element and steel housing, as per DIN EN 837-3, for measuring small overpressures:

- accuracy class 1.6
- high reliability
- overload-proof (1.3 x scale interval)
- zero point correction
- measuring system copper alloy

Display ranges

- 0 - 25 mbar
- 0 - 40 mbar
- 0 - 60 mbar
- 0 - 100 mbar
- 0 - 160 mbar
- 0 - 250 mbar
- 0 - 400 mbar
- 0 - 600 mbar

Pressure measuring instruments with spiral element and steel housing, as per DIN EN 837-1, for measuring high overpressures:

- accuracy class 1.6
- high reliability
- sheet steel case

Display ranges

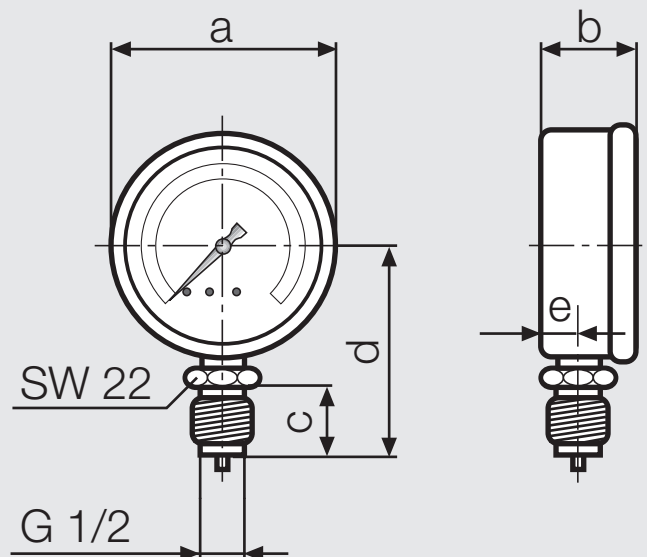
- | | |
|-------------|--------------|
| 0 - 1.0 bar | 0 - 6.0 bar |
| 0 - 1.6 bar | 0 - 10.0 bar |
| 0 - 2.5 bar | 0 - 25.0 bar |
| 0 - 4.0 bar | |

Application

The pressure measuring instruments are used in the areas of burner monitoring, filter status measurement, air conditioning engineering and in laboratories. Suitable for gases of gas families 1, 2, 3 and other neutral gaseous media.

| Technical Data | KP, D201 | RF, D201 |
|----------------------------------------------------------------------------|-----------------------------------------------------------------------------------------------------------------------------------------------------------------------------|-----------------------------------------------------------------------------------------------------------------------------------------------------------------------------|
| Accuracy class | 1.6 as per EN 837-3 | 1.6 as per EN 837-1 |
| Display ranges | 0 - 25 mbar to 0 - 600 mbar | 0 - 1 bar to 0 - 25 bar |
| Housing | Sheet steel, black | Sheet steel, black |
| inspection window Dial face | Plastic Al white, dial and inscription black | Plastic Al white, dial and inscription black |
| Pointer | Al black | Al black |
| Segment unit | Brass with zero offset compensation | Brass |
| Measuring component | CuBe | Cu alloy |
| Pressure connection, position Thread connection | radial, below G 1/2 B | radial, below G 1/2 B |
| Ambient temperature Medium temperature Temperature-related behaviour | $T_{\min.} -20\text{ °C}, T_{\max.} +60\text{ °C}$ $T_{\min.} -20\text{ °C}, T_{\max.} +60\text{ °C}$ 0.6 % / 10 K for a deviation from normal temperature + 20 °C | $T_{\min.} -20\text{ °C}, T_{\max.} +60\text{ °C}$ $T_{\min.} -20\text{ °C}, T_{\max.} +60\text{ °C}$ 0.4 % / 10 K for a deviation from normal temperature + 20 °C |
| Installation position | vertical | vertical |
| Degree of protection | IP 32 (EN 60529) | IP 32 (EN 60529) |

Dimensions [mm]



| Type | Accuracy range | Order No. | Connection | Dimensions [mm] | | | | | Weight [kg] |
|--------|----------------|-----------|------------|-----------------|------|----|----|------|-------------|
| | | | | a | b | c | d | e | |
| KP 80 | 0 - 25 mbar | 217 101 | G 1/2 B | 80 | 43.3 | 20 | 69 | 14.8 | 0.4 |
| KP 80 | 0 - 40 mbar | 099 028 | G 1/2 B | 80 | 43.3 | 20 | 69 | 14.8 | 0.4 |
| KP 80 | 0 - 60 mbar | 103 697 | G 1/2 B | 80 | 43.3 | 20 | 69 | 14.8 | 0.4 |
| KP 80 | 0 - 100 mbar | 082 081 | G 1/2 B | 80 | 43.3 | 20 | 69 | 14.8 | 0.4 |
| KP 80 | 0 - 160 mbar | 104 083 | G 1/2 B | 80 | 43.3 | 20 | 69 | 14.8 | 0.4 |
| KP 80 | 0 - 250 mbar | 077 396 | G 1/2 B | 80 | 43.3 | 20 | 69 | 14.8 | 0.4 |
| KP 80 | 0 - 400 mbar | 104 307 | G 1/2 B | 80 | 43.3 | 20 | 69 | 14.8 | 0.4 |
| KP 80 | 0 - 600 mbar | 103 705 | G 1/2 B | 80 | 43.3 | 20 | 69 | 14.8 | 0.4 |
| KP 100 | 0 - 25 mbar | 248 312 | G 1/2 B | 100 | 44 | 20 | 87 | 15.6 | 0.5 |
| KP 100 | 0 - 40 mbar | 248 311 | G 1/2 B | 100 | 44 | 20 | 87 | 15.6 | 0.5 |
| KP 100 | 0 - 60 mbar | 248 310 | G 1/2 B | 100 | 44 | 20 | 87 | 15.6 | 0.5 |
| KP 100 | 0 - 100 mbar | 220 054 | G 1/2 B | 100 | 44 | 20 | 87 | 15.6 | 0.5 |
| KP 100 | 0 - 160 mbar | 247 342 | G 1/2 B | 100 | 44 | 20 | 87 | 15.6 | 0.5 |
| KP 100 | 0 - 250 mbar | 244 612 | G 1/2 B | 100 | 44 | 20 | 87 | 15.6 | 0.5 |
| KP 100 | 0 - 400 mbar | 230 678 | G 1/2 B | 100 | 44 | 20 | 87 | 15.6 | 0.5 |
| KP 100 | 0 - 600 mbar | 227 467 | G 1/2 B | 100 | 44 | 20 | 87 | 15.6 | 0.5 |
| RF 80 | 0 - 1 bar | 119 073 | G 1/2 B | 80 | 31 | 20 | 72 | 11.7 | 0.25 |
| RF 80 | 0 - 1.6 bar | 227 146 | G 1/2 B | 80 | 31 | 20 | 72 | 11.7 | 0.25 |
| RF 80 | 0 - 2.5 bar | 217 201 | G 1/2 B | 80 | 31 | 20 | 72 | 11.7 | 0.25 |
| RF 80 | 0 - 4 bar | 052 415 | G 1/2 B | 80 | 31 | 20 | 72 | 11.7 | 0.25 |
| RF 80 | 0 - 6 bar | 217 202 | G 1/2 B | 80 | 31 | 20 | 72 | 11.7 | 0.25 |
| RF 80 | 0 - 10 bar | 227 283 | G 1/2 B | 80 | 31 | 20 | 72 | 11.7 | 0.25 |
| RF 80 | 0 - 25 bar | 248 314 | G 1/2 B | 80 | 31 | 20 | 72 | 11.7 | 0.25 |
| RF 100 | 0 - 1 bar | 240 829 | G 1/2 B | 100 | 29.5 | 20 | 82 | 11 | 0.3 |
| RF 100 | 0 - 1.6 bar | 240 830 | G 1/2 B | 100 | 29.5 | 20 | 82 | 11 | 0.3 |
| RF 100 | 0 - 2.5 bar | 248 313 | G 1/2 B | 100 | 29.5 | 20 | 82 | 11 | 0.3 |
| RF 100 | 0 - 4 bar | 241 419 | G 1/2 B | 100 | 29.5 | 20 | 82 | 11 | 0.3 |
| RF 100 | 0 - 6 bar | 230 679 | G 1/2 B | 100 | 29.5 | 20 | 82 | 11 | 0.3 |
| RF 100 | 0 - 10 bar | 247 356 | G 1/2 B | 100 | 29.5 | 20 | 82 | 11 | 0.3 |
| RF 100 | 0 - 25 bar | 245 298 | G 1/2 B | 100 | 29.5 | 20 | 82 | 11 | 0.3 |

Accessories

Order No.

| | |
|----------------------------------|---------|
| Push button cock DKH | 033 621 |
| Pressure gauge shutoff valve MAV | 230 762 |



Technical description

DKH: Manually operated shutoff device between measuring line and pressure gauge according to DIN 3537-1. In the normal state, the push-button cock is closed. Therefore, the pressure gauge is permanently relieved of pressure. The push-button is pushed in order to apply pressure on the pressure gauge and indicate the operating pressure.

MAV: Manually operated shutoff and flow control device between measuring line and pressure gauge in accordance with DIN 16270.

Application

Suitable for gases of families 1, 2, 3 and other neutral gaseous media.

Approvals

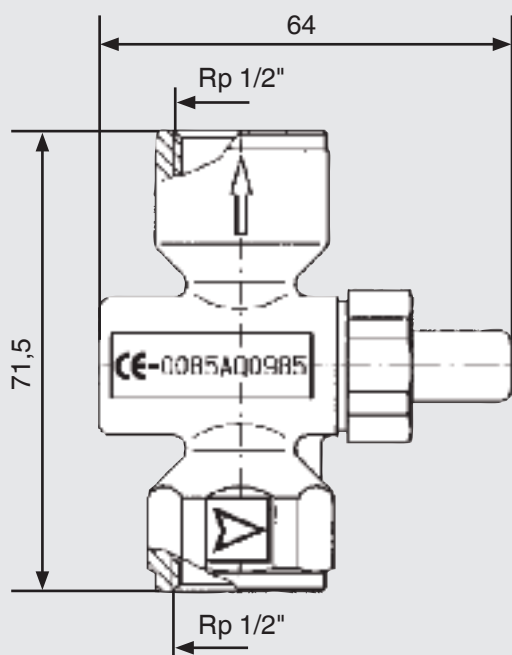
DVGW type approval certificate:
 DKH DG-4315 AO 0724
 MAV DG-4315 BQ 0026

Pressure gauge
 Push button cock
 Pressure gauge shutoff valve

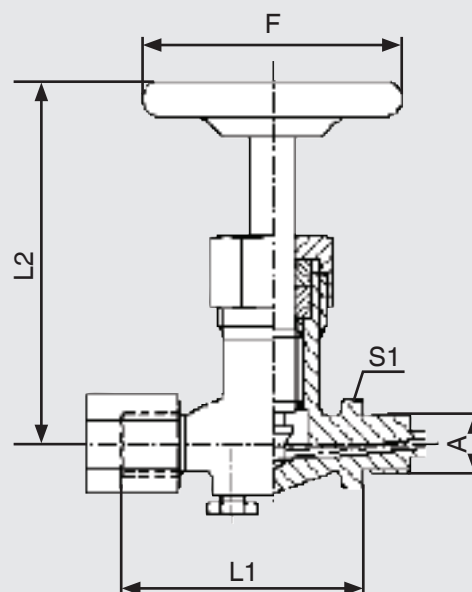
DUNGS®
 Combustion Controls

| Technical Data | DKH | MAV |
|-------------------------|---------------------|------------------|
| Connection | Rp 1/2 | G 1/2 / G 1/2 B |
| Max. operating pressure | 5 bar | 100 bar |
| Temperature range | -15 °C ... +70 °C | -5 °C ... +60 °C |
| Housing | Nickel-plated brass | Brass |

Dimensions DKH [mm]



Dimensions MAV [mm]



We reserve the right to make any changes in the interest of technical progress.

Head Offices and Factory
 Karl Dungs GmbH & Co. KG
 Siemensstraße 6-10
 D-73660 Urbach, Germany
 Telephone +49 (0)7181-804-0
 Fax +49 (0)7181-804-166

Postal address
 Karl Dungs GmbH & Co. KG
 Postfach 12 29
 D-73602 Schorndorf, Germany
 e-mail info@dungs.com
 Internet www.dungs.com