

# Actuator drives for

- Motorised Butterfly Valve DMK
- Motorised throttle DML

11.20

**DUNGS®**



## Technical description

Various actuator drives (synchronous motors, motorised return) are available for the Dungs DMK motorised butterfly valves and DML motorised throttle:

- DMA 40 P 230/02 3
- DMA 40 P 230/02 4
- DMA 30 P 230/03 0

The selection of the actuator drive depends on the type of application. Simple installation/replacement due to standardised mounting plate.

## Application

The actuator drives, in combination with the DUNGS DMK motorised butterfly valve and DML motorised throttle, are used to control the gas supply or the air supply to gas-burning appliances e.g. gas burners.

## Approvals

The actuator drives comply with the basic requirements of the EMC and low-voltage guideline.

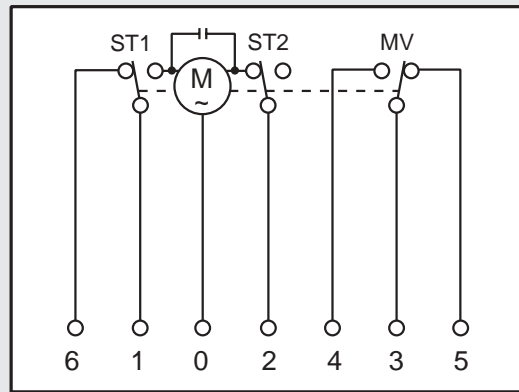


## Technical data

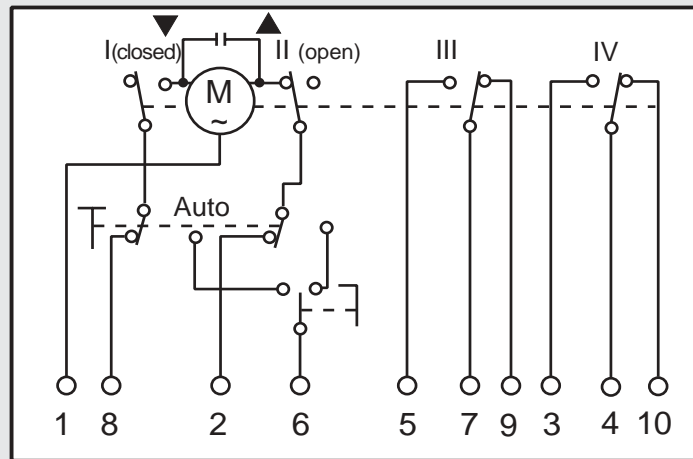
Type	DMA 40 P 230/02 3	DMA 40 P 230/02 4	DMA 30 P 230/03 0
<b>Order No.</b>	<b>226 240</b>	<b>238 810</b>	<b>238 811</b>
Operating time for 90 °C	40 s	40 s	30 s
Switch-on duration ED	100 %	100 %	100 %
Voltage/frequency	~ (AC) 230 V 50 Hz	~ (AC) 230 V 50 Hz	~ (AC) 230 V 50 Hz
Degree of protection	IP 40	IP 40	IP 40
Ambient temperature	-10 °C to 60 °C	-10 °C to 60 °C	-10 °C to 60 °C
Weight	0.4 kg	0.5 kg	0.5 kg
Power consumption	max. 3 VA	max. 3 VA	max. 3 VA
Number of cams	3	4	0 (continuously)
Function, colours			
- min.	yellow	yellow	red
- max.	red	red	yellow
- potential-free, travelling	blue	2 x blue	yellow
Cam adjustment via	Lever	Lever	Lever
Potentiometer	-	optional	-
Operating mode	automatic	automatic/manual	automatic/manual
Control	~ (AC) 230 V 50 Hz	~ (AC) 230 V 50 Hz	4 to 20 mA
Output	-	-	4 to 20 mA
Separate power output	-	-	10 V
Torque at the shaft	200 Ncm	200 Ncm	300 Ncm
Static holding torque	150 Ncm	150 Ncm	200 Ncm
Permissible lateral force on the shaft	50 Ncm	50 Ncm	50 Ncm
Shaft diameter	8 mm	8 mm	8 mm
Shaft flat area	1 mm	1 mm	1 mm

Diagrams

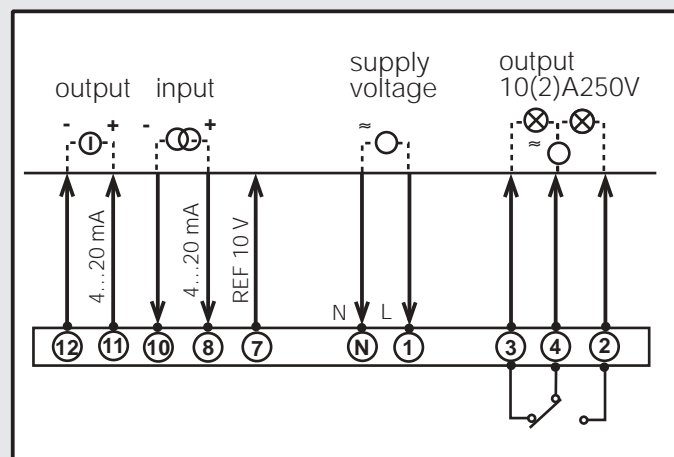
DMA 40 P 230/02 3



DMA 40 P 230/02 4



DMA 30 P 230/03 0

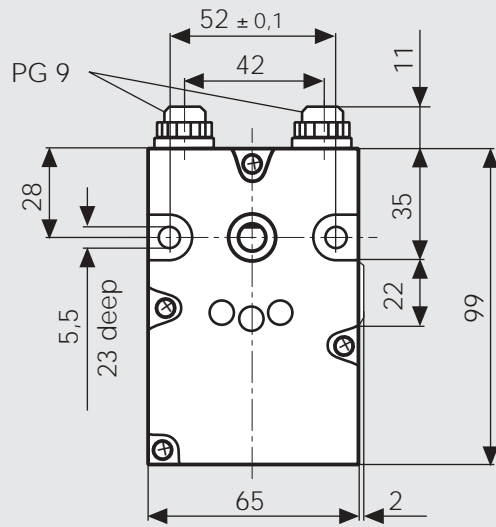
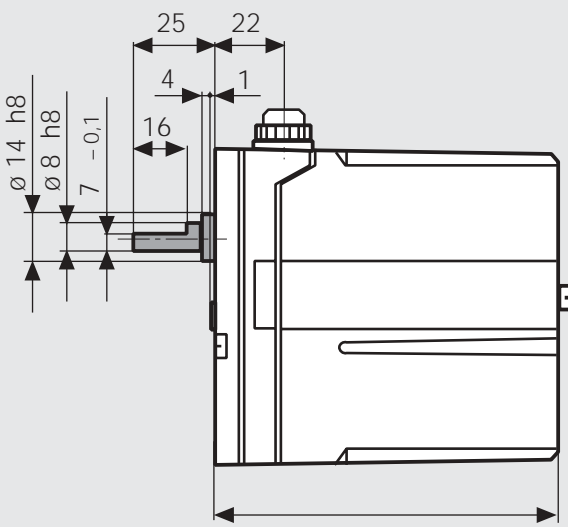


Actuator drives for  
 - Motorised Butterfly Valve DMK  
 - Motorised Throttle DML

**DUNGS®**

**Dimensions [mm]**

**DMA 40...**  
**DMA 30...**



DMA 40 P 230/02 3	66
DMA 40 P 230/02 4	114
DMA 30 P 230/03 0	114

We reserve the right to make any changes in the interest of technical progress.

**Head Offices and Factory**  
 Karl Dungs GmbH & Co.  
 Siemensstraße 6-10  
 D-73660 Urbach, Germany  
 Telephone +49 (0)7181-804-0  
 Telefax +49 (0)7181-804-166

**Postal address**  
 Karl Dungs GmbH & Co.  
 Postfach 12 29  
 D-73602 Schorndorf, Germany  
 e-mail info@dungs.com  
 Internet www.dungs.com